



BCS-HS Series Horn Loudspeakers



- **10W & 20W Models available**
- **IP66 Rated**
- **Emergency Evacuation System ready**
- **Wide dispersion for speech intelligibility**
- **Screwdriver adjustable power tapping**
- **Loop in / Loop out wiring**

The BCS-HS series of high-efficiency horn loudspeakers provide excellent speech reproduction and sound distribution for a wide scope of paging and emergency evacuation applications.

There are two models in the range,

- BCS-HS10E - 10W Horn Loudspeaker
- BCS-HS20E - 20W Horn Loudspeaker

Although compact, the 10W Horn loudspeaker has a very efficient SPL of 108dB, 1W @ 1m with a maximum of 114dB, and the 20W produces 110dB with a maximum of 124dB. Both are ideal for applications such as Plant Rooms, Car Parks, Passenger Terminals, Schools, Factories, etc.

Design

BCS-HS Horn loudspeakers are made from tough UV stabilised ABS and finished in a natural light grey, the horns are water and dust protected and certified to IP66. They have a bipolar capacitor built-in making them suitable for EWIS control systems that utilise line monitoring circuitry. They are also fitted with a four-core termination lead for loop-in/loop-out wiring to meet Australian Standards.

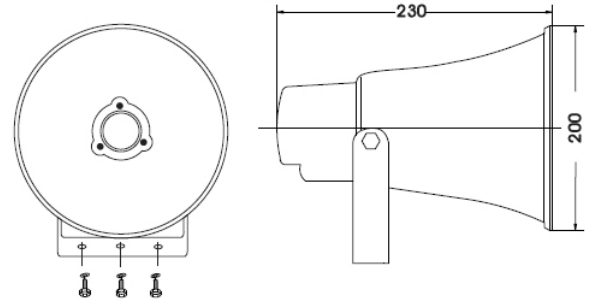
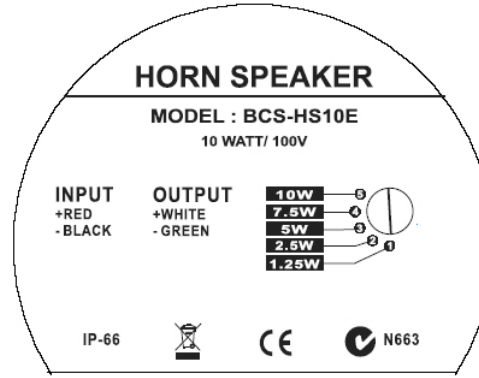
BCS-HS Horn loudspeakers have a screwdriver adjustable switch for setting power taps and are feature a sturdy adjustable mounting bracket, allowing the sound beam to be accurately directed.

2 | BCS-HS Series Horn Loudspeakers

Technical Specifications

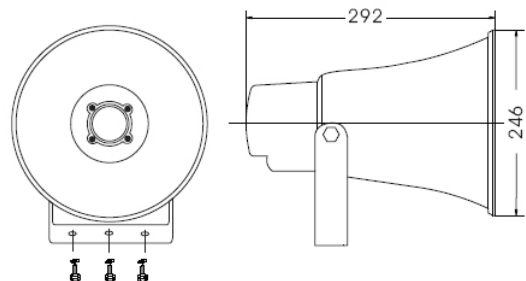
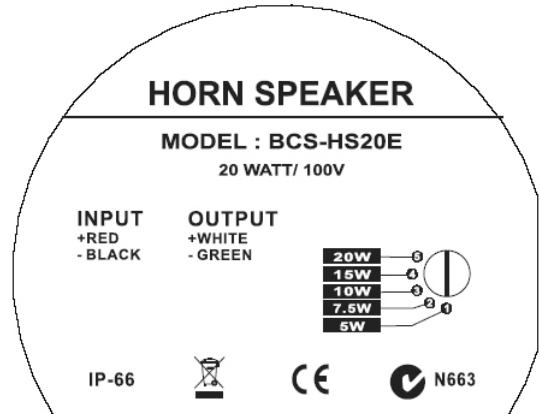
BCS-HS10E

Rated input:	100V
Power handling:	10W
Power taps:	10, 7.5, 5, 2.5, 1.25W
SPL at Rated Power (10W @ 1m):	119 dB
SPL at Rated Power (1W @ 1m):	108 dB
Frequency Range (-10dB):	300Hz - 13kHz
Dispersion Angle(-6dB):	140°@1kHz
Weight:	1.3KG



BCS-HS20E

Rated input:	100V
Power handling:	20W
Power taps:	20, 15, 10, 7.5, 5W
SPL at Rated Power (10W @ 1m):	124 dB
SPL at Rated Power (1W @ 1m):	110 dB
Effective Freq. Range:	270Hz - 9kHz
Dispersion Angle(-6dB):	90°@1kHz
Weight:	2.1KG



Ordering Information

SKU	Model	Description
010422	BCS-HS10E	HORN SPEAKER, EASYFIT 10W - MOQ Box of 8
010423	BCS-HS20E	HORN SPEAKER, EASYFIT 20W - MOQ Box of 8