



SHADOW 114S

APPLICATIONS

- Convention centers
- Athletic fields
- Stadiums
- Theme parks
- Swimming pools
- Cruise ships
- Malls
- Ballrooms
- Outdoor background music

KEY FEATURES

- Subwoofer
- Sturdy molded polyethylene curved enclosure
- 14" woofer with 3" coil
- Line transformer (optional)
- 4 wires cable to select the power tapping
- IP55 weather resistant
- Standard grey finish
- Completely manufactured in Italy

ALL WEATHER LOUDSPEAKERS



PRODUCT DESCRIPTION

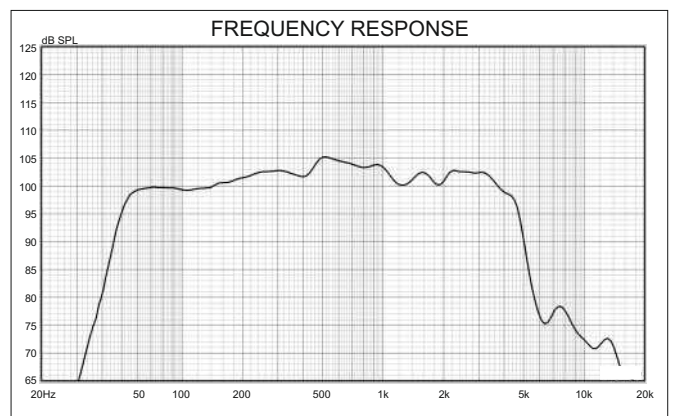
The SHADOW 114S is a weatherproof subwoofer loudspeaker system offering substantial power and efficiency for a variety of professional indoor or outdoor applications. The low frequency transducer is a 14" woofer with a 3" voice coil. An optional transformer is also available providing impedance matching to 100V lines with 300W power. The cabinet is a single piece rotational moulded in polyethylene, fully UV protected. The cabinet is equipped with a stainless steel U-bracket. The grille is in custom perforated stainless steel with 3 layers of protection. The SHADOW 114S meets the requirements of IP55 code (International Protection Rating).

ELECTRONIC SPECIFICATIONS

System Type	subwoofer
Recommended Amplifier	700W RMS
Long Term Power	350W
Short Term Power (IEC 268-5)	1400W
Transformer (optional)	100V / 300W
Nominal Impedance	8 Ohm
Frequency Response	60Hz - 400Hz (@-6dB)
Sensitivity	97dB (@1W, 1m)
Max SPL (cont/peak) (bi-amp)*	125.5dB / 129.5dB
Dispersion	omnidirectional
Crossover Frequency	external
Recommended HP Filter	40Hz - 24dB oct.

PHYSICAL SPECIFICATIONS

Low Frequency Woofer	14" / 3" coil
Input Connectors	4 wires cable
Net Dimensions (WxHxD) inch	16.92 x 16.92 x 15.74
Net Weight	37.47 lbs
Enclosure Material	Polyethylene rotomoulded
Grille	Custom perforated stainless steel



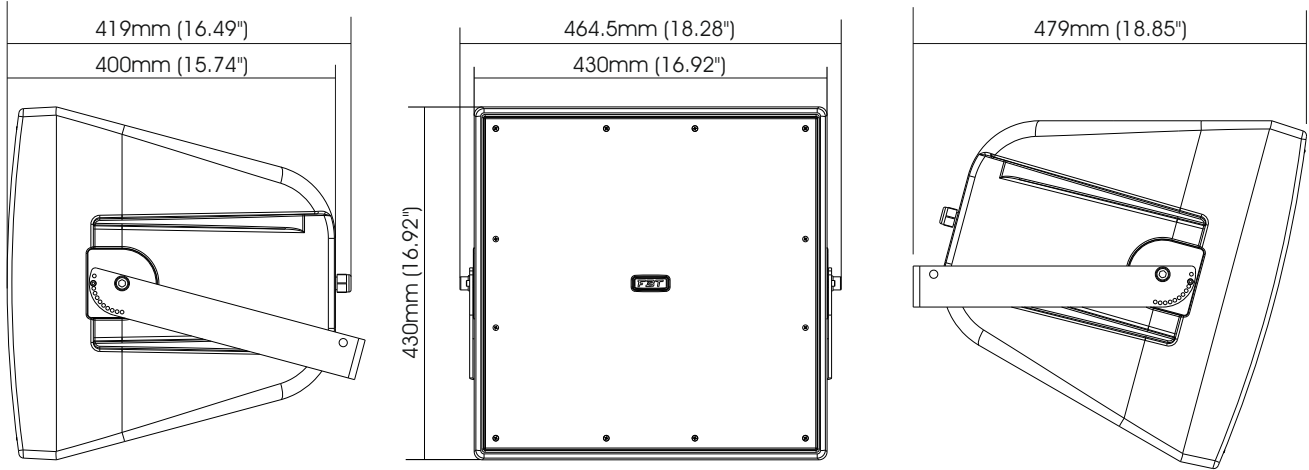
* CONT. SPL: half space, based on recommended amp rating and LF transducer average sensitivity data, 125mS time average
PEAK SPL: half space, based on short term applicable power rating and system peak sensitivity, 10mS time average



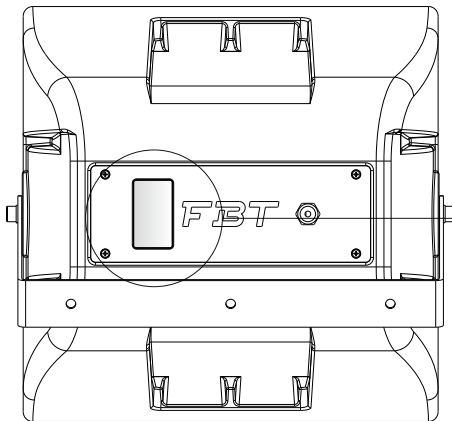
SHADOW

114S

DIMENSIONAL DRAWINGS



TECHNICAL SPECIFICATIONS LABEL



SHADOW
114S ALL WEATHER LOUSPEAKERS

FBT

Recommended Amplifier: 700W
System Long Term Power: 350W
Dispersion: omnidirectional
Nominal Impedance: 8 Ohm

Connections: Black - COM
Blue - NC
Brown - NC
Red - 8 Ohm

MADE IN ITALY

CE

SUPPLIED ACCESSORY

