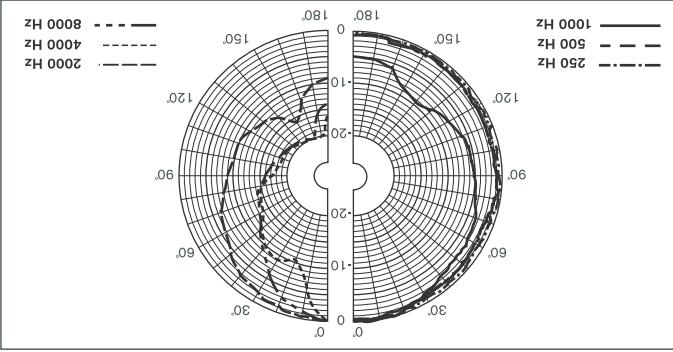
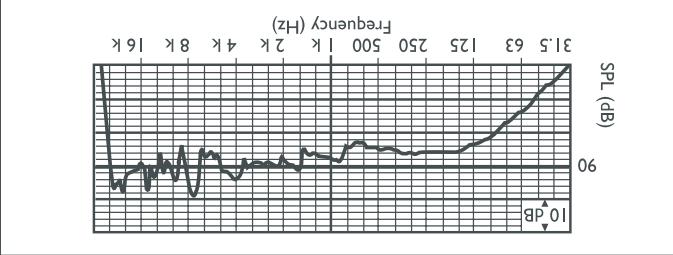


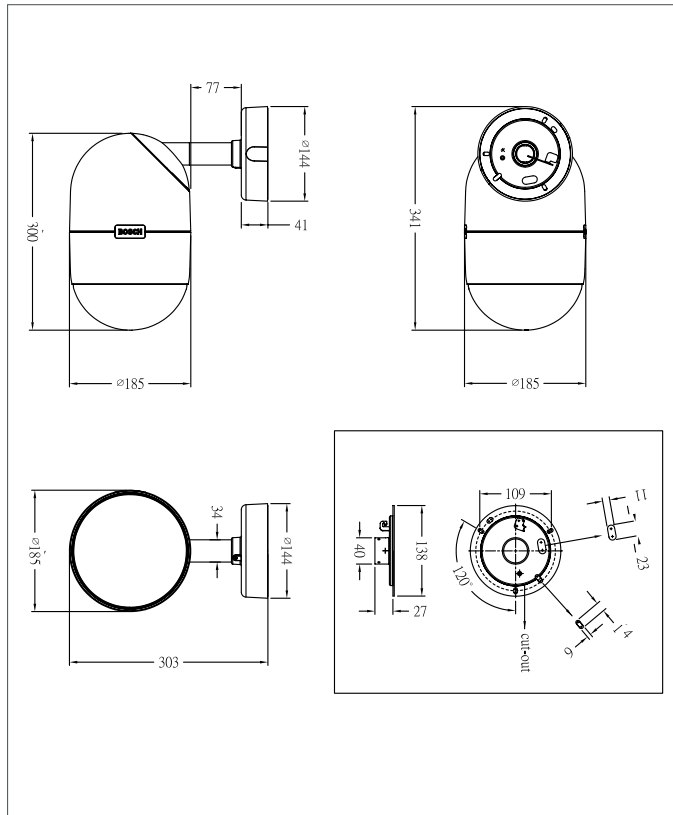
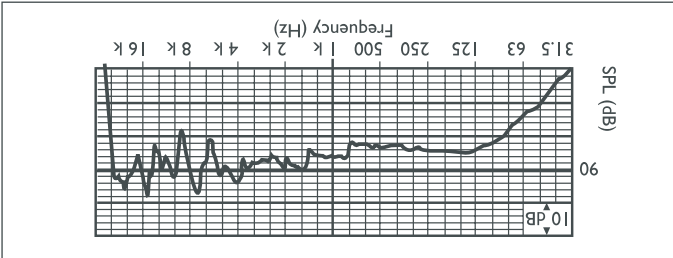
Weight	3 kg (6.6 lb)	3.1 kg (6.6 lb)
Colour	White (RAL 9010)	White (RAL 9010)
max. length	300 mm	300 mm
Dimension dia.	185 mm	185 mm
Connection	3 way screw terminal block	3 way screw terminal block
Water protection	acc. to EN 60529 IP65	acc. to EN 60529 IP65
Safety	acc. to EN 60065	acc. to EN 60065
Ambient temperature range	-25°C to +55°C	-25°C to +55°C
Rated impedance	1000 Ω	500 Ω
Rated voltage	100 V	100 V
/4kHz, -6dB)	220° / 65°	220° / 65°
Opening angle (at 1kHz)	75 Hz to 20 kHz	75 Hz to 20 kHz
(-10 dB)		
Effective frequency range		
Sound pressure level	at 10W/1m (at 1kHz,1m)	96 dB/86 dB (SPL)
		100 dB/87 dB (SPL)
Rated power (PHC)	10 W	20 W
Max. power	15 W	30 W
	LP1-UC10E	LP1-UC20E



Frequency response (LP1-UC20E)



Frequency response (LP1-UC10E)



Dimensions of LP1-UC10E, LP1-UC20E (in mm)

Sound Projector



 Security Systems

EN | Instructions for use
LP1-UC10E
LP1-UC20E

