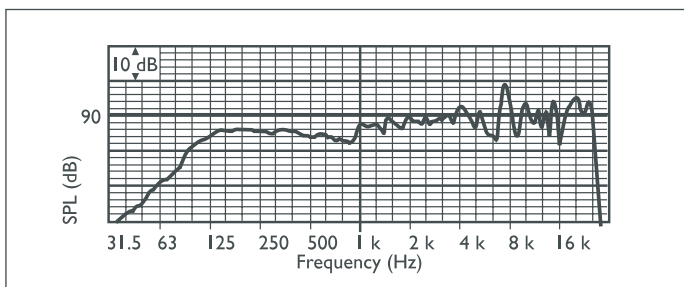
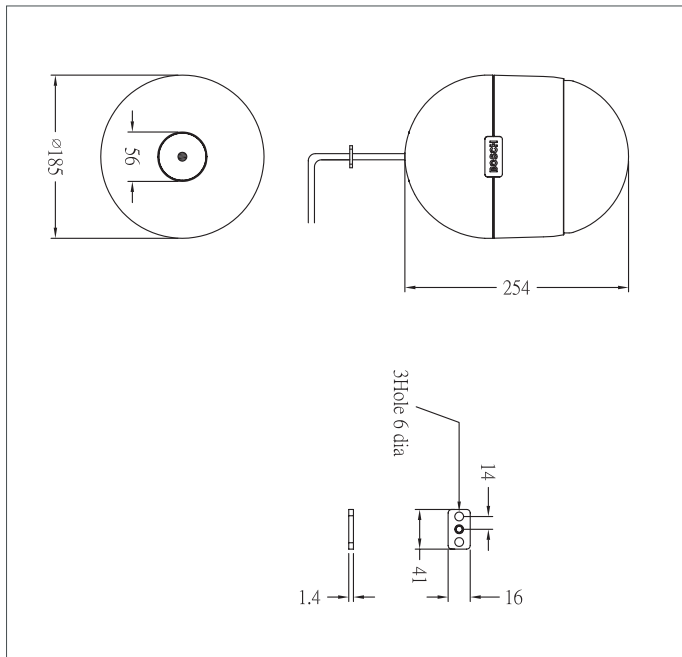
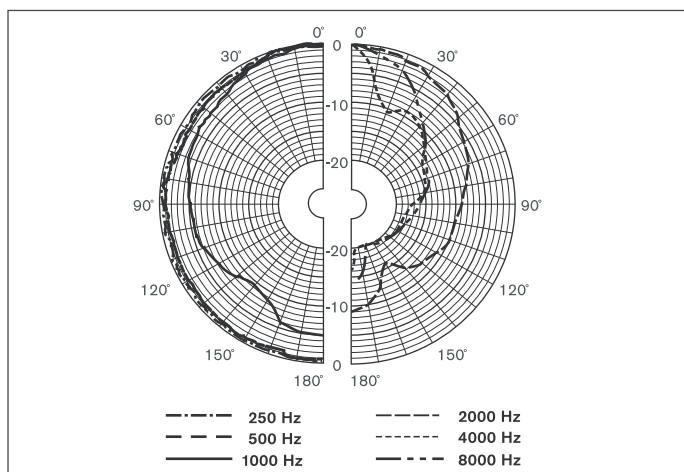


Weight	2.5 kg (6.3 lb)
Colour	White (RAL 9010)
max. length	254 mm
dia.	185 mm
Dimension	
Connection	3 way screw terminal block
Water protection	acc. to EN 60529 IP65
Safety	acc. to EN 60065
Ambient temperature range	-25°C to +55°C
Rated impedance	500 Ω
Rated voltage	100 V
Opening angle (at 1kHz/4kHz, -6dB)	220° / 65°
Effective frequency range (-10 dB)	80 Hz to 20 kHz
Sound pressure level at 10W/1m (at 1kHz,1m)	99 dB/86 dB (SPL)
Rated power (PHC)	20 W
Max. power	30 W
LS1-UC20E	
Technical performance data acc. to IEC 268-5	

Dimensions (in mm)



Frequency response



Polar diagram (measured with pink noise)

Sound Projector



Security Systems

EN | Instructions for use
LS1-UC20E

