

LB20-SW400 Cabinet subwoofer 2x10"

www.boschsecurity.com



BOSCH
Invented for life



- ▶ Two 10 inch high-excursion woofers
- ▶ Carefully engineered for outdoor environments (IP54 and IP65), without compromising performance
- ▶ 400 W power handling provides for 120 dB maximum SPL (126 dB peak)
- ▶ 70/100 V transformer input panel accessory available
- ▶ Crossover input panel accessory available

The LB20-SW400 subwoofer, from Bosch, is a compact, high-performance, dual 10" (254 mm) woofer loudspeaker with outstanding performance for the most demanding professional and commercial sound applications. Designed and engineered for use in background and foreground music, and sound reinforcement applications, the LB20-SW400 is the ideal solution for indoor and outdoor applications, such as restaurants, bars, patios, retail, fitness clubs, hospitality, theme parks, leisure venues, and others. Ease of installation, and flexible options for mounting solutions and weather resistance, the LB20-SW400 is the perfect solution for a wide variety of surface mount applications.

The LB20-SW400 has been carefully engineered to resist outdoor environments, without compromising on performance for indoor applications. The subwoofer is IP54 rated, and its weather-proofing is complemented with exceptional cabinet and grille resistance against sun, salt and moisture. For the toughest weather conditions, the IP rating of the LB20-SW400 can be upgraded to IP65, using the included port plug accessory.

The wide range of LB20 surface mount speakers has been designed to work together as a complete system in a variety of different surface mount constructions, and to be used in combination with other LB20 ceiling and in-wall speakers.

Technical specifications

Frequency response (-10 dB):	33 Hz - 500 Hz ¹
Sensitivity:	94 dB ²
Max. SPL (Calculated):	120 dB (126 dB Peak)
Power handling:	400 W (1600 W Peak) Continuous Pink Noise (100 hours)
Low Z:	Yes
Nominal impedance:	(2) 8 Ω (stereo mode); (1) 4 Ω (mono mode)
Recommended High-Pass:	40 Hz (24 dB/octave)
Input transformer (70 V/100 V):	Optional accessory
Transformer taps:	Optional accessory
LF transducer:	Two 10 inch (254 mm)

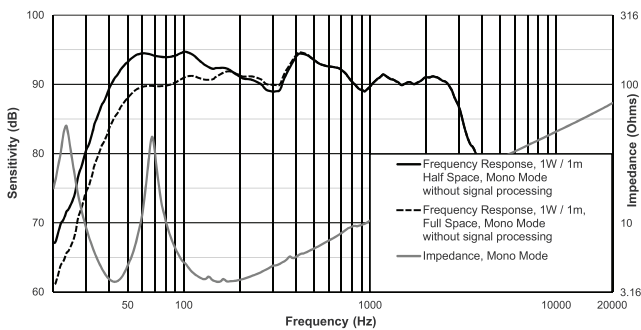
Connectors:	Two removable locking 4-pin connector (Euroblock) - Input and output. Max. wire size 12 AWG (2.5 mm).
Environmental:	IP-54 (per IEC-60529); IP-65 with port covers
Color:	Black (RAL 9004) or white (RAL 9003)
Dimensions (H x W x D):	356 mm x 651 mm x 491 mm (14.0 in x 25.6 in x 19.3 in) ³
Net weight:	17.9 kg (39.5 lb) ³
Shipping weight:	21 kg (46.3 lb)
Included hardware:	(2) Subwoofer feet, Allen wrench, weather input cover, (8) screws for the weather input cover, (2) IP65 port covers, (12) IP65 port cover screws
Packaged quantity:	1

¹Half space (wall mounting).

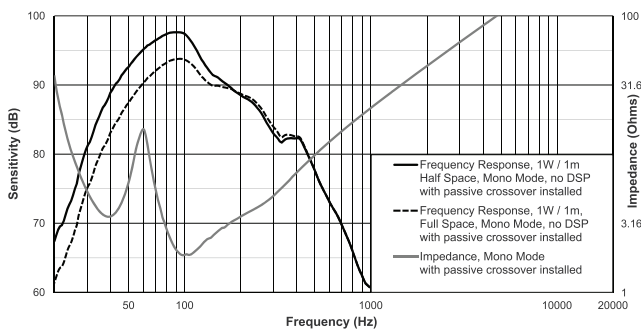
²Half space (on wall) averaged 50 Hz – 150 Hz, 1 W.

³Without U-Bracket.

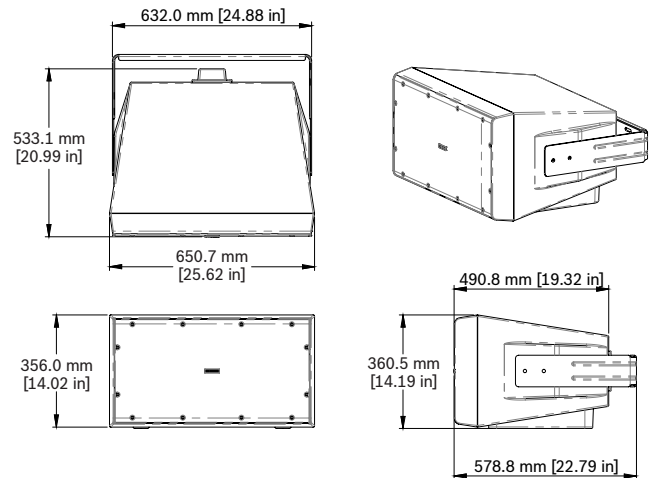
Frequency response and impedance:



Frequency response and impedance with cross-over:



Dimensions:



Architectural and engineering specifications:

The loudspeaker shall be a surface mount, dual-driver system. The loudspeaker shall consist of two 10" (254 mm) woofers, with a weather resistant poly propylene cone, and a 2" (51 mm) voice-coil.

The loudspeaker system shall meet the following performance criteria: Power handling, 400 W of IEC 60268-5 continuous pink noise (6 dB crest factor); Frequency response, 33 Hz -500 Hz (-10 dB from rated sensitivity); Sensitivity, 94 dB at one watt, 50 Hz - 150 Hz at one meter; Impedance, two 8 Ohm nominal in stereo mode, or one 4 Ohm nominal in mono mode. The finish shall be paintable black (RAL 9004) or paintable white (RAL 9003). The grille shall be zinc plated, and powder coated for corrosion resistance. The loudspeaker shall be designed for floor installations and shall allow for it to be flown using four M8 fly points on top and one M8 safety point on the back. The loudspeaker shall also allow to be installed with a U-Bracket, using an optional accessory.

Electrical connections shall be through the input panel on the rear of the loudspeaker, and is shall include an IEC 60529 IP65 input weather cover. The loudspeaker shall have two electrical connection through two 4-pin detachable Euroblock connectors, one for input and one for output to satellite speakers. The input panel shall allow for stereo and mono operation using a switch on the back of the loudspeaker.

The system shall be weather resistant to IEC 60068-2-5 Solar Radiation, IEC 60068-2-11 Salt Mist, IEC 60068-2-42 SO₂, IEC 60068-2-60 Chlorine, and IEC 60529 IP54 test conditions. If the included port covers are installed, the system shall also be resistant to IEC 60529 IP65 test conditions. The mounting system shall be EIA 636 tested, at a safety factor of 8:1 or better. The enclosure shall be molded of polypropylene. The loudspeaker shall weigh 17.9 kg (39.5 lb) and its dimensions shall be 356 mm (14.0 in) high, 651 mm (25.6 in) wide, and 491 mm (19.3 in) deep.

The surface mount loudspeaker shall be the LB20-SW400 model from Bosch.

Ordering information

LB20-SW400-D Cabinet subwoofer 2x10" black

Dual 10-inch cabinet subwoofer, weather-resistant IP54, with IP65 port-plugs, black

Order number **LB20-SW400-D**

LB20-SW400-L Cabinet subwoofer 2x10" white

Dual 10-inch cabinet subwoofer, weather-resistant IP54, with IP65 port-plugs, white

Order number **LB20-SW400-L**

Represented by:

Europe, Middle East, Africa:

Bosch Security Systems B.V.
P.O. Box 80002
5600 JB Eindhoven, The Netherlands
Phone: + 31 40 2577 284
emea.securitysystems@bosch.com
emea.boschsecurity.com

Germany:

Bosch Sicherheitssysteme GmbH
Robert-Bosch-Ring 5
85630 Grasbrunn
Germany
www.boschsecurity.com

North America:

Bosch Security Systems, Inc.
130 Perinton Parkway
Fairport, New York, 14450, USA
Phone: +1 800 289 0096
Fax: +1 585 223 9180
onlinehelp@us.bosch.com
www.boschsecurity.us

Asia-Pacific:

Robert Bosch (SEA) Pte Ltd, Security Systems
11 Bishan Street 21
Singapore 573943
Phone: +65 6571 2808
Fax: +65 6571 2699
apr.securitysystems@bosch.com
www.boschsecurity.asia