

# LB20-PC30-5 Speaker 5" cabinet 70/100V pair

www.boschsecurity.com



**BOSCH**  
Invented for life



- ▶ Innovative mount system is included for quick, simple, and reliable installations
- ▶ Carefully engineered for outdoor environments (IP54), without compromising performance
- ▶ Long throw 5.25" (133 mm) woofer housed in a fire rated ABS plastic enclosure for extended LF performance down to 60 Hz
- ▶ 75 W power handling provides for 109 dB maximum SPL (115 dB peak)

The LB20-PC30-5 from Bosch is a high-performance, two-way, full-range, 5.25" (133 mm) surface mount speaker with excellent wide, uniform coverage, and outstanding performance. It is designed for background and foreground music, paging, and sound reinforcement, and it's ideal for a wide variety of indoor and outdoor applications, such as restaurants, bars, patios, retail, fitness clubs, hospitality, theme parks, leisure venues, and others. With unparalleled ease-of-installation, sturdy weather resistance, modern and delicate look, and its flexible mounting options, the LB20-PC30-5 is the perfect solution for a wide variety of surface mount applications.

The LB20-PC30-5 includes the unique and innovative mounting system, from Bosch, making every installation quick, simple, and reliable. The mounting system allows for 90 degrees of rotation horizontally, and 45 degrees of rotation vertically, and it can be easily installed on walls and ceilings. The mounting system comes already assembled and ready to be used, ready to make any job easier.

The LB20-PC30-5 utilizes a 30 W transformer, that offers a selection of 3.7 W (70 V only), 7.5 W, 15 W, or 30 W delivered to the speaker system using either 70 V

or 100 V lines, or 8  $\Omega$  bypass for low impedance lines. Selection is done with a convenient switch on the input panel located on the rear of the speaker.

The LB20-PC30-5 has been carefully engineered to resist outdoor environments, without compromising on performance for indoor applications. The full-range speaker is IP54 rated, and its weather-proofing is complemented with exceptional cabinet and grille resistance against sun, salt and moisture.

All LB20 models are available in black or white, and can be easily painted to match the décor. Transformer versions are also available for constant voltage systems.

The wide range of LB20 surface mount speakers has been designed to work together as a complete system in a variety of different surface mount constructions, and to be used in combination with other LB20 ceiling and in-wall speakers.

## Technical specifications

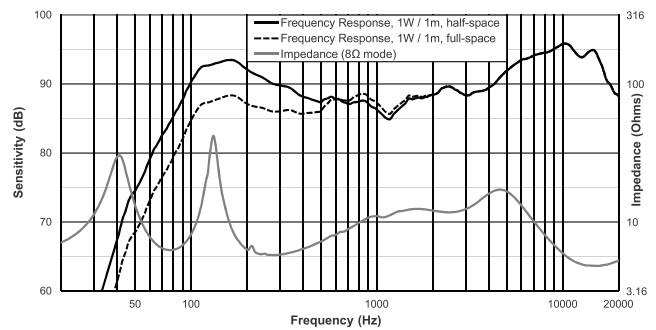
Frequency response (-3 dB):	85 Hz - 20 kHz <sup>1</sup>
Frequency response (-10 dB):	60 Hz - 20 kHz <sup>1</sup>
Sensitivity:	90 dB <sup>2</sup>
Max SPL (calculated):	109 dB (115 dB Peak)
Coverage angle:	Horizontal 90°, Vertical 90°
Power handling:	75 W (300 W Peak) Continuous Pink Noise (100 hours)
Low Z:	Yes
Nominal impedance:	8 Ω
Minimum impedance:	6 Ω
Recommended High-Pass:	60 Hz (24 dB/octave)
Input transformer (70 V/100 V):	30 W
Transformer taps:	70 V: 3.7 W, 7.5 W, 15 W, 30 W, 8 Ω 100 V: 7.5 W, 15 W, 30 W, 8 Ω
LF transducer:	5.25 inch (133 mm)
HF transducer:	0.75 inch (20 mm)
Connectors:	Captive screws on wall bracket. Removable locking 4-pin connector (Euroblock) - (2) for connection to additional speakers in a distributed line. Max. wire size 12AWG (2.5 mm)
Environmental:	IP54 (per IEC-60529)
Color:	Black (RAL 9004) or white (RAL 9003)
Dimensions (H x W x D):	255 mm x 180 mm x 154 mm (10.0 in x 7.1 in x 6.0 in) <sup>3</sup>
Net weight:	3.2 kg (7.0 lb) <sup>3</sup>
Shipping weight (pair):	7.9 kg (17.5 lb)
Included hardware:	Mounting bracket and 5-mm Allen wrench
Packaged quantity:	2

<sup>1</sup>Half space (wall mounting).

<sup>2</sup>Half space (on wall) averaged 100 Hz – 10 kHz, 1 W.

<sup>3</sup>Without brackets.

## Frequency response and impedance:



## Architectural and engineering specifications:

The loudspeaker shall be a surface mount, two-way, full-range system, with an internal passive crossover. The loudspeaker's low-frequency transducer shall be a 5.25" (133 mm) woofer, with a weather resistant poly propylene cone, and a 1" (25 mm) voice-coil. The loudspeaker's high-frequency transducer shall be a 0.75" (20 mm) Ferro fluid cooled driver, coupled to a baffle-integrated waveguide.

The loudspeaker system shall meet the following performance criteria: Power handling, 75 W of IEC 60268-5 continuous pink noise (6 dB crest factor); Frequency response, 60 Hz - 20 kHz (-10 dB from rated sensitivity); Sensitivity, 90 dB at one watt, 100 Hz - 10 kHz at one meter; Impedance, 8 Ohm nominal, 6 Ohm minimum.

The loudspeaker shall have a transformer suitable for use on 70 V or 100 V distributed lines. The transformer shall have taps ranging from 3.7 W to 30 W, plus an 8 Ohm bypass, selectable using a switch on the rear of the enclosure. The 8 Ohm bypass selection shall be protected by a safety screw.

The high-frequency transducer shall drive a waveguide to cover evenly 90° horizontally by 90° vertically. The finish shall be paintable black (RAL 9004) or paintable white (RAL 9003). The grille shall be zinc plated, and powder coated for corrosion resistance. The loudspeaker shall be adjustable over a range of 90° horizontally and 45° vertically. The support bracket shall be integral with the enclosure.

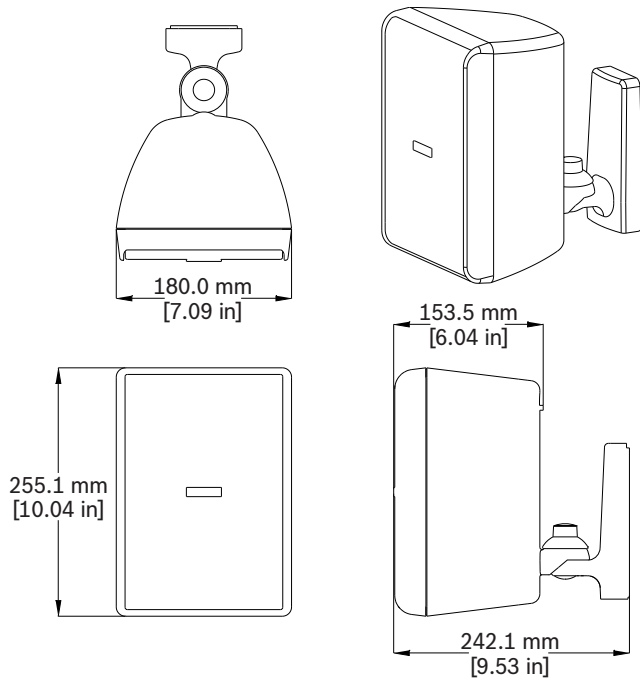
The loudspeaker shall have a ball-and-socket mounting system with a quick attach and detach operation. Electrical connections shall be through the wall-portion of the mounting system, and there should be no exposed wire. The loudspeaker shall have a secondary electrical connection through a 4-pin detachable Euroblock connector.

The system shall be weather resistant to IEC 60068-2-5 Solar Radiation, IEC 60068-2-11 Salt Mist, IEC 60068-2-42 SO<sub>2</sub>, IEC 60068-2-60 Chlorine, and IEC 60529 IP54 test conditions. The mounting system shall be EIA 636 tested, at a safety factor of 8:1 or better.

The enclosure shall be molded of fire rated ABS plastic. The loudspeaker shall weigh 3.2 kg (7.0 lb) and its dimensions shall be 255 mm (10.1 in) high, 180 mm (7.1 in) wide, and 154 mm (6.0 in) deep.

The surface mount loudspeaker shall be the LB20-PC30-5 model from Bosch.

**Dimensions:**



**Ordering information**

**LB20-PC30-5D Cabinet speaker 5" 70/100V black pair**  
 Two-way 5-inch cabinet loudspeaker, with easy wall-mount system, internal 30W 70/100-volt line transformer with 8 Ohm bypass, weather-resistant IP54 (packaged in pairs), black  
 Order number **LB20-PC30-5D**

**LB20-PC30-5L Cabinet speaker 5" 70/100V white pair**  
 Two-way 5-inch cabinet loudspeaker, with easy wall-mount system, internal 30W 70/100-volt line transformer with 8 Ohm bypass, weather-resistant IP54 (packaged in pairs), white  
 Order number **LB20-PC30-5L**

**Represented by:**

**Europe, Middle East, Africa:**  
 Bosch Security Systems B.V.  
 P.O. Box 80002  
 5600 JB Eindhoven, The Netherlands  
 Phone: + 31 40 2577 284  
 emea.securitysystems@bosch.com  
 emea.boschsecurity.com

**Germany:**  
 Bosch Sicherheitssysteme GmbH  
 Robert-Bosch-Ring 5  
 85630 Grasbrunn  
 Germany  
 www.boschsecurity.com

**North America:**  
 Bosch Security Systems, Inc.  
 130 Perinton Parkway  
 Fairport, New York, 14450, USA  
 Phone: +1 800 289 0096  
 Fax: +1 585 223 9180  
 onlinehelp@us.bosch.com  
 www.boschsecurity.us

**Asia-Pacific:**  
 Robert Bosch (SEA) Pte Ltd, Security Systems  
 11 Bishan Street 21  
 Singapore 573943  
 Phone: +65 6571 2808  
 Fax: +65 6571 2699  
 apr.securitysystems@bosch.com  
 www.boschsecurity.asia