

LB20-PC60EW-5 Cabinet speaker 5" 70/100V IP65 pair

www.boschsecurity.com



BOSCH
Invented for life



- ▶ Carefully engineered for the toughest weather conditions (IP65)
- ▶ Long throw 5.25" (133 mm) woofer housed in a UL 94-5VB fire rated ABS plastic for extended LF performance down to 55 Hz
- ▶ 90 W power handling provides for 108 dB maximum SPL (114 dB Peak)
- ▶ 60 W transformer with 8 Ω pass-through

The LB20-PC60EW-5, from Bosch, is a high-performance, two-way, full-range, 5.25" (133 mm) surface mount speaker with excellent wide, uniform dispersion, and outstanding performance. It is designed for background and foreground music, voice evacuation, paging, and sound reinforcement, and it's ideal for a wide variety of indoor and outdoor applications, such as restaurants, bars, patios, retail, fitness clubs, hospitality, theme parks, leisure venues, and others. With unparalleled ease-of-installation, exceptional weather resistance, modern and delicate look, and its flexible mounting options, the LB20-PC60EW-5 is the perfect solution for a wide variety of surface mount applications.

The LB20-PC60EW-5 has been carefully engineered to resist the toughest weather conditions, without compromising on performance for indoor applications. The full-range speaker is IP65 rated, and its weather-proofing is complemented with exceptional cabinet and grille resistance against sun, salt, moisture, and chlorine.

The LB20-PC60EW-5 includes a versatile U-Bracket that has been designed with the installer in mind, allowing for a wide range of installation applications. The U-Bracket allows for 80 degrees of rotation. The LB20-PC60EW-5 utilizes a 60 W transformer, that offers a selection of 7.5 W (70 V only), 15 W, 30 W or 60 W delivered to the speaker system using either 70 V or 100 V lines, or 8 Ω bypass for low impedance lines. Selection is done with a convenient switch on the input panel located on the rear of the speaker. The wide range of LB20 surface mount speakers has been designed to work together as a complete system in a variety of different surface mount constructions, and to be used in combination with other LB20 ceiling and in-wall speakers.

Technical specifications

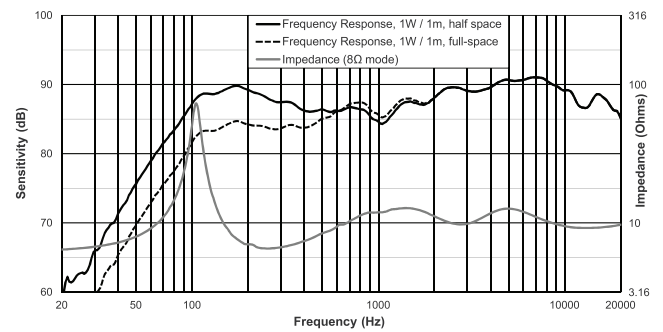
Frequency response (-3 dB):	90 Hz - 20 kHz ¹
Frequency response (-10 dB)	55 Hz - 20 kHz ¹
Sensitivity:	89 dB ²
Max SPL (calculated):	108 dB, 114 dB Peak
Coverage angle:	Horizontal 90°, Vertical 90°
Power handling:	75 W (300 W Peak) Continuous Pink Noise (100 hours)
Low Z:	Yes
Nominal impedance:	8 Ω
Minimum impedance:	6.5 Ω
Recommended high-pass:	60 Hz (24 dB/octave)
Input transformer (70 V/100 V):	60 W
Transformer taps:	70V: 60 W, 30 W, 15 W, 7.5 W, 8 Ω 100V: 60 W, 30 W, 15 W, 8 Ω
Low frequency transducer:	5.25 in (133 mm)
High frequency transducer:	0.75 in (20 mm)
Connectors:	Removable locking 4-pin connector (Euroblock) - (2) for connection to additional speakers in a distributed line. Max. wire size 12AWG (2.5 mm)
Environmental:	IP-65 (per IEC-60529)
Color:	Black (RAL 9004) or white (RAL 9003)
Dimensions (H x W x D):	255 mm x 180 mm x 150 mm (10.0 in x 7.1 in x 5.9 in) ³
Net weight:	3.2 kg (7.1 lb) ³
Shipping weight:	9.5 kg (21.0 lb)
Included hardware:	U-Bracket, 5-mm Allen wrench and input cover
Packaged quantity:	2

¹Half space (wall mounting).

²Half space (on wall) averaged 100 Hz – 10 kHz, 1 W.

³Without U-Bracket.

Frequency response and impedance:



Architectural and engineering specifications:

The loudspeaker shall be a surface mount, two-way, full-range system, with an internal passive crossover. The loudspeaker's low-frequency transducer shall be a 5.25" (133 mm) woofer, with a weather resistant poly propylene cone, and a 1" (25 mm) voice-coil. The loudspeaker's high-frequency transducer shall be a 0.75" (20 mm) Ferro fluid cooled driver, coupled to a baffle-integrated waveguide.

The loudspeaker system shall meet the following performance criteria: Power handling, 75 W of IEC 60268-5 continuous pink noise (6 dB crest factor); Frequency response, 55 Hz - 20 kHz (-10 dB from rated sensitivity); Sensitivity, 89 dB at one watt, 100 Hz - 10 kHz at one meter; Impedance, 8 Ohm nominal, 6.5 Ohm minimum.

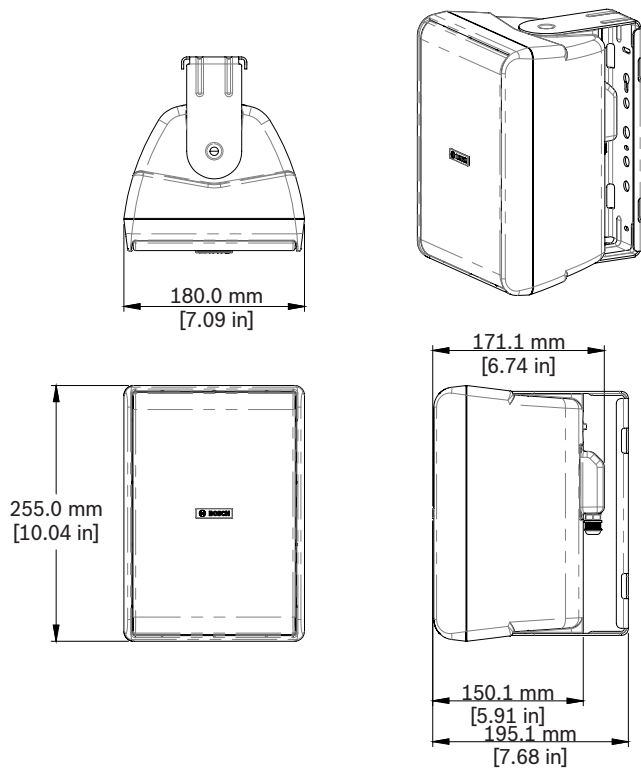
The loudspeaker shall have a transformer suitable for use on 70 V or 100 V distributed lines. The transformer shall have taps ranging from 7.5 W to 60 W, plus an 8 Ohm bypass, selectable using a switch on the rear of the enclosure. The 8 Ohm bypass selection shall be protected by a safety screw.

The high-frequency transducer shall drive a waveguide to cover evenly 90° horizontally by 90° vertically. The finish shall be black (RAL 9004) or white (RAL 9003). The grille shall be marine grade aluminum. The loudspeaker shall be adjustable over a range of 90° vertically, using a U-Bracket.

The loudspeaker shall have an included U-Bracket. The U-Bracket shall be marine grade aluminum. Electrical connections shall be through a 4-pin detachable Euroblock connector on the input panel. The loudspeaker should include an IP65 weather cover for the input panel.

The system shall be weather resistant to IEC 60068-2-5 Solar Radiation, IEC 60068-2-11 Salt Mist, IEC 60068-2-42 SO₂, IEC 60068-2-60 Chlorine, and IEC 60529 IP64 test conditions. The mounting system shall be EIA 636 tested, at a safety factor of 8:1 or better. The enclosure shall be molded of UL UL94-V2 fire rated ABS plastic. The loudspeaker shall weigh 3.2 kg (7.1 lb) and its dimensions shall be 255 mm (10.0 in) high, 180 mm (7.1 in) wide, and 150 mm (5.9 in) deep. The surface mount loudspeaker shall be the LB20-PC60EW-5 model from Bosch.

Dimensions:



Ordering information

LB20-PC60EW-5D Cabinet speaker 5" 70/100V IP65 bk pair

Two-way 5-inch cabinet loudspeaker, with easy wall-mount system, internal 60W 70/100-volt line transformer with 8 Ohm bypass, weatherproof IP65 (packaged in pairs), black

Order number **LB20-PC60EW-5D**

LB20-PC60EW-5L Cabinet speaker 5" 70/100V IP65 wh pair

Two-way 5-inch cabinet loudspeaker, with easy wall-mount system, internal 60W 70/100-volt line transformer with 8 Ohm bypass, weatherproof IP65 (packaged in pairs), white

Order number **LB20-PC60EW-5L**

Represented by:

Europe, Middle East, Africa:
Bosch Security Systems B.V.
P.O. Box 80002
5600 JB Eindhoven, The Netherlands
Phone: + 31 40 2577 284
emea.securitysystems@bosch.com
emea.boschsecurity.com

Germany:
Bosch Sicherheitssysteme GmbH
Robert-Bosch-Ring 5
85630 Grasbrunn
Germany
www.boschsecurity.com

North America:
Bosch Security Systems, Inc.
130 Perinton Parkway
Fairport, New York, 14450, USA
Phone: +1 800 289 0096
Fax: +1 585 223 9180
onlinehelp@us.bosch.com
www.boschsecurity.us

Asia-Pacific:
Robert Bosch (SEA) Pte Ltd, Security Systems
11 Bishan Street 21
Singapore 573943
Phone: +65 6571 2808
Fax: +65 6571 2699
apr.securitysystems@bosch.com
www.boschsecurity.asia