

# LBC 3951/11 Ceiling Loudspeaker

[www.boschsecurity.com](http://www.boschsecurity.com)



**BOSCH**

Invented for life



Advantage Line

The LBC 3951/11 is a compact, 6 W loudspeaker with a perforated metal grille. It has excellent audio performance and is easy to install with its integral mounting clips. The loudspeaker is IPx4 water protected from the front so it can be installed in humid environments.

## Features

- ▶ Compact yet powerful
- ▶ Very wide opening angle
- ▶ Modern unobtrusive styling
- ▶ Installation friendly
- ▶ Splash - waterproof

## 2 | LBC 3951/11 Ceiling Loudspeaker

### Technical specifications

Electrical*	
Maximum power	9 W
Rated power	6 / 3 / 1.5 / 0.75 W
Sound pressure level at 6 W / 1 W (1 kHz, 1 m)	96 dB / 88 dB (SPL)
Sound pressure level at 6 W / 1 W (4 kHz, 1 m)	99 dB / 91 dB (SPL)
Effective frequency range (-10 dB)	60 Hz to 18 kHz
Opening angle at 1 kHz/4 kHz (-6 dB)	170° / 80°
Rated voltage	100 V
Rated impedance	1667 ohm
Connector	2-pole push-in terminal block

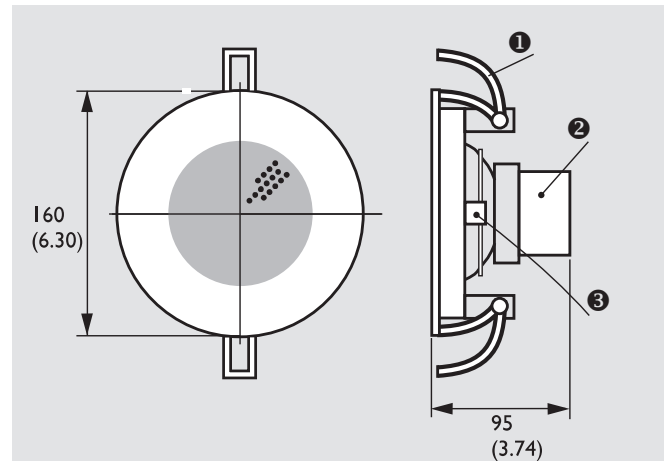
\* Technical performance data acc. to IEC 60268-5

Mechanical	
Diameter	160 mm (6.30 inch)
Maximum depth	95 mm (3.74 inch)
Ceiling thickness	9 to 25 mm (0.35 to 0.98 inch)
Mounting cut-out	145 mm (5.71 inch)
Speaker diameter	101.6 mm (4 in)
Weight	690 g (1.52 lb)
Color	White (RAL 9010)
Magnet weight	101 g (3.57 oz)

Environmental	
Operating temperature	-25 °C to +55 °C (-13 °F to +131 °F)
Storage temperature	-40 °C to +70 °C (-40 °F to +158 °F)
Relative humidity	<95%

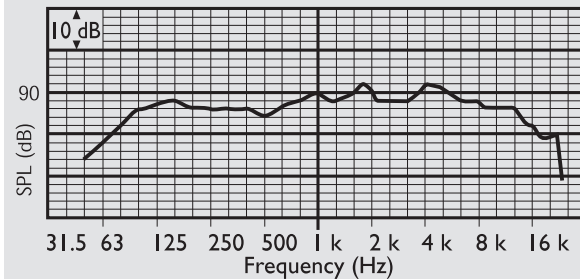
Certifications and approvals	
<b>Region</b>	<b>Certification</b>
Europe	CE
Safety	acc. to EN 60065
Water protected	acc. to EN 60529, IPx4

**Installation/configuration notes**  
 Installation is easy with integral clips that securely hold the ceiling loudspeaker in its cut-out. Ceilings from 9 to 25 mm thick can be accommodated. A template is also provided for accurately marking the cutout in ceiling panels. Wiring is via a connection block with push-type terminals, making installation possible without using any special tools. The terminal blocks have provision for loop-through wiring. The transformer is delivered wired for 6 W rated output power, but can easily be changed for other connections using the color-coded wires and terminal block.



- 01 Clamp
- 02 Matching transformer
- 03 Terminal block

Dimensions in mm (inch)



Frequency response

Ordering information	
LBC 3951/11 Ceiling Loudspeaker	LBC3951/11
Accessories	
LBC 1256/00 EVAC Connection Adapter	LBC1256/00

### Represented by:

**Americas:**  
 Bosch Security Systems, Inc.  
 12000 Portland Avenue South  
 Burnsville MN 55337, USA  
 Phone: +1-800-392-3497  
 Fax: +1-800-955-6831  
 audiosupport@us.bosch.com  
 www.boschsecurity.com

**Europe, Middle East, Africa:**  
 Bosch Security Systems B.V.  
 P.O. Box 80002  
 5617 BA Eindhoven, The Netherlands  
 Phone: +31 40 2577 284  
 Fax: +31 40 2577 330  
 emea.securitysystems@bosch.com  
 www.boschsecurity.com

**Asia-Pacific:**  
 Robert Bosch (SEA) Pte Ltd, Security Systems  
 11 Bishan Street 21  
 Singapore 573943  
 Phone: +65 6571 2808  
 Fax: +65 6571 2699  
 apr.securitysystems@bosch.com  
 www.boschsecurity.asia

**China:**  
 Bosch (Shanghai) Security Systems Ltd.  
 201 Building, No. 333 Fuquan Road  
 North IBP  
 Changning District, Shanghai  
 200335 China  
 Phone +86 21 22181111  
 Fax: +86 21 22182398  
 www.boschsecurity.com.cn

**America Latina:**  
 Robert Bosch Ltda Security Systems Division  
 Via Anhanguera, Km 98  
 CEP 13065-900  
 Campinas, Sao Paulo, Brazil  
 Phone: +55 19 2103 2860  
 Fax: +55 19 2103 2862  
 latam.boschsecurity@bosch.com  
 www.boschsecurity.com