



PROCESSED ACTIVE SUBWOOFER

## APPLICATIONS

- Permanent installations in:  
Theatres, Concert halls, Clubs, Places of Worship, Conference rooms, Indoor sports, Arenas and Stadiums.
- Sound reinforcement for live events:  
Touring, Bands, Orchestras.
- Designed as the perfect partner for the FBT X-LITE and X-PRO series.

## KEY FEATURES

- Bass-reflex design active subwoofer
- 15mm / 0,59" plywood cabinet
- 15" woofer / 3" voice coil
- 1200W Class D power amplifier
- 4 DSP presets
- Frequency response 42Hz - 120Hz
- M20 threads for stand pole mount



## PRODUCT DESCRIPTION

The FBT X-SUB 15SA, 1 x 15" bass-reflex design subwoofer, is the perfect low frequency extension and the ideal companion for the FBT X-LITE and FBT X-PRO series. The FBT X-SUB 15SA provides the following performance criteria: frequency response of 42Hz to 120Hz @ -6dB, maximum SPL of 135 dB peak, 1200W Class D amplifier. The FBT X-SUB 15SA provides a DSP with 4 presets. The FBT X-SUB 15SA feature 0,59" plywood construction covered in a scratch resistant black paint with M20 top mounted stand adapter and two FBT design aluminium handles. The control panel provides stereo combo XLR/jack in-outs, stereo XLR HP filter outs, level control, preset switch, phase reversal switch, prt-lmt led indicator.

## ELECTRONIC SPECIFICATIONS

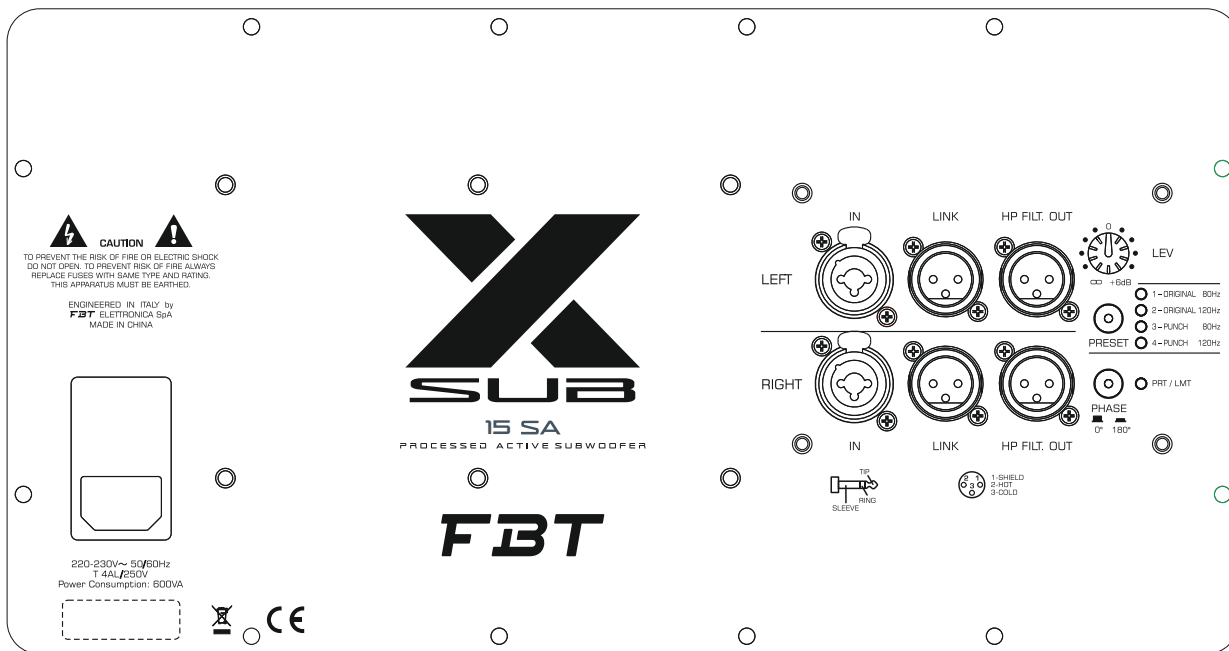
System Type	bass reflex
Internal amplifiers	1200W
Input Impedance	22 kOhm
Frequency Response	42Hz - 120Hz (@-6dB)
Maximum SPL peak	135dB half space
Dispersion	omnidirectional
AC Power Requirement	600VA

## PHYSICAL SPECIFICATIONS

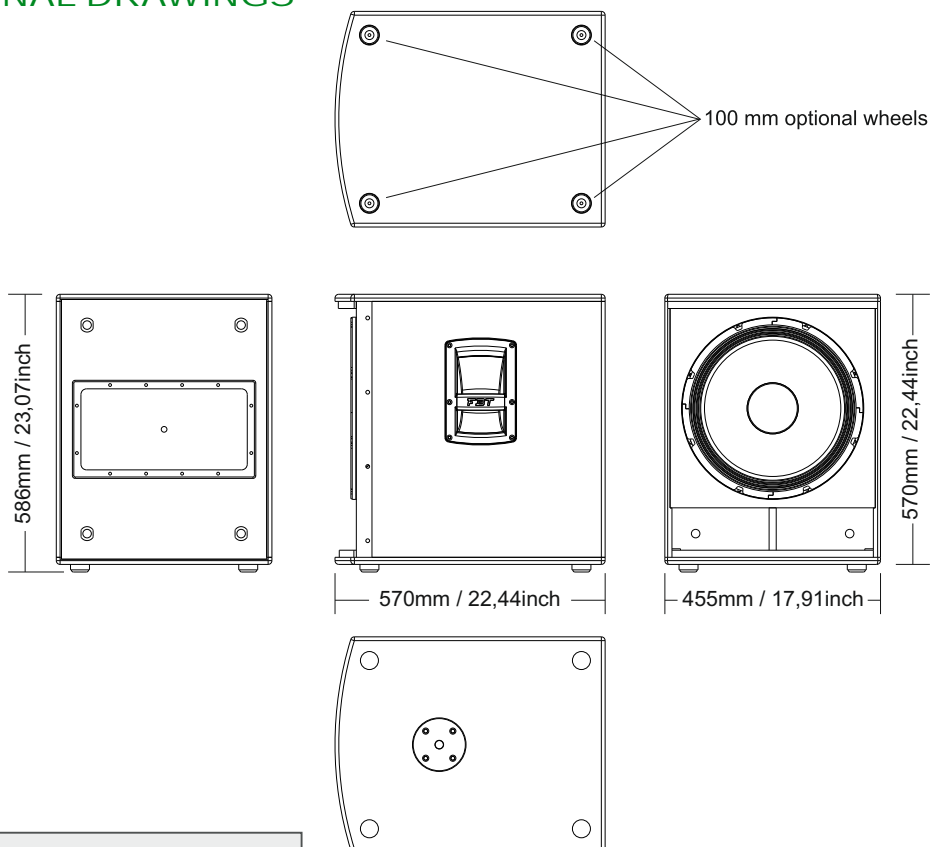
Low Frequency Woofer	15" / 3" coil	
Input Connectors	XLR with loop	
Net Dimensions (WxHxD) inch	17,91 x 23,07 x 22,44	
	mm	455 x 586 x 570
Shipping Dimensions (WxHxD) inch	27,55 x 29,33 x 22,24	
	mm	700 x 745 x 565
Net Weight	66,13 lbs / 30kg	
Shipping Weight	72,75 lbs / 33kg	
Enclosure Material	plywood	
Grille	Steel with powder coat black paint finish	
Power Cord	16,4ft / 5mt	



## CONTROL PANEL



## DIMENSIONAL DRAWINGS



ONLY FOR GROUND STACK CONFIGURATION