



anyone — anytime — anywhere

 **FARFISA**  
INTERCOMS SINCE 1967

 **IP EVO**  
smarter living



**App**  
**IP EVO**



The **IP EVO system** is designed for multi-user complexes and ensures extremely **easy management and operation**. No IT skills are required for configuration and installation management.

Data security is a priority in the IP EVO project. The external unit communicates with smartphones, digital voice assistants and specific video intercoms and all configurations are possible through **IP EVO app!**



EASY  
SETTING



MULTI-USER  
COMPLEXES



WebRTC  
PROTOCOL

# **Ideal for the installer for the end-user**



*tablet / smartphone / digital voice assistant*



TOP  
AUDIO VIDEO



ALWAYS ON



REMOTE  
MANAGEMENT



5MPx  
OPTIC

## **High performances**



AUDIO/VISUAL  
SIGNALING



MULTI-LANGUAGE  
VOICE PROMPT



WIDE ANGLE  
CAMERA

## **Accessibility**



OBSCURED  
PASSWORD



0100  
1001  
DATA  
ENCRYPTION

## **Cybersecurity**



STAINLESS  
STEEL



TORX  
SCREWS



LEXAN GLASS  
DISPLAY

## **Robustness**



# The IP EVO system



The **WebRTC protocol** in the IP EVO system allows the limits of the previous technologies to be overcome. This means that:

- configuration is **extremely simple**, no computer skills required;
- the **audio-video quality is excellent**;
- a sophisticated **data protection** system is guaranteed;
- the system is suitable for **new technologies** integration (for example AI).

The **Connecto** entry door panel is connected with **smartphones, digital voice assistants** and dedicated **Sette videointercoms**.

## CONNECTO

anyone. anytime. anywhere

## SE77E

ITALIAN VIEW



### TD1000CN

Entry door panel made with Aisi 316L stainless steel plate, equipped with 5Mpx camera, multi-language voice prompt, ready for RFID module. PoE or 13 Vac power supply, Ethernet or WiFi connection.  
Dim. cm 17 x 37,1 x 0,2

### 290C/O

Rain shelter for surface mounting.  
Dim: cm 17,4 x 37,6 x 8,3

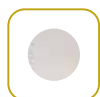


### SE4000

Hand-free WiFi IP video intercom, equipped with 7" LCD screen, touch buttons and backlit icons.  
Dim. cm 19,4 x 15,7 x 2,5

### CNUS01 / CNUS10 / CNUS50 / CNUS100

User package for 1, 10, 50 and 100 users respectively to communicate with mobile devices



STAINLESS  
STEEL



TORX  
SCREWS



LEXAN  
GLASS DISPLAY



5Mpx  
OPTIC



SURFACE  
MOUNTING

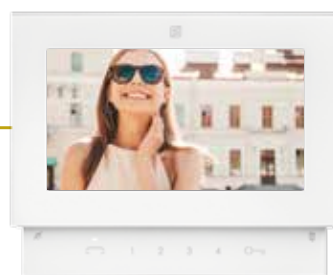


FLUSH  
MOUNTING



**up to 8 devices**

# for the end-user



- **excellent** audio and video quality
- **cybersecurity guaranteed** thanks to: specific chip in the entry door panel, Farfisa proprietary cloud server
- **guaranteed operation** with video intercom, even without internet connection
- simultaneous conversations, simultaneous calls, two-way communication
- up to **8 devices** for each indoor unit
- accessibility: voice prompt, wide-angle lens, audio-visual signals

## Access via:

App, PIN-Code, QR-Code (even temporary), RFID



TOP  
AUDIO VIDEO



ALWAYS ON



REMOTE  
MANAGEMENT



AUDIO/VISUAL  
SIGNALING



WIDE ANGLE  
OPTIC



OBSCURED  
PASSWORD



DATA  
ENCRYPTION



MULTI-LANGUAGE  
VOICE PROMPT



# for the installer



- **remote** system configuration and management
- **unlimited** number of entrance panels, pairing of entrance panels via app.
- **unlimited** number of **internal units**
- PoE power supply



MULTI-USER  
COMPLEXES



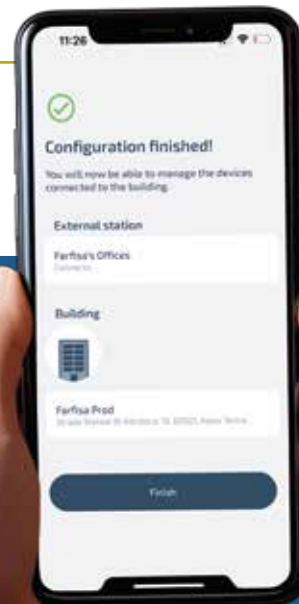
REMOTE  
MANAGEMENT



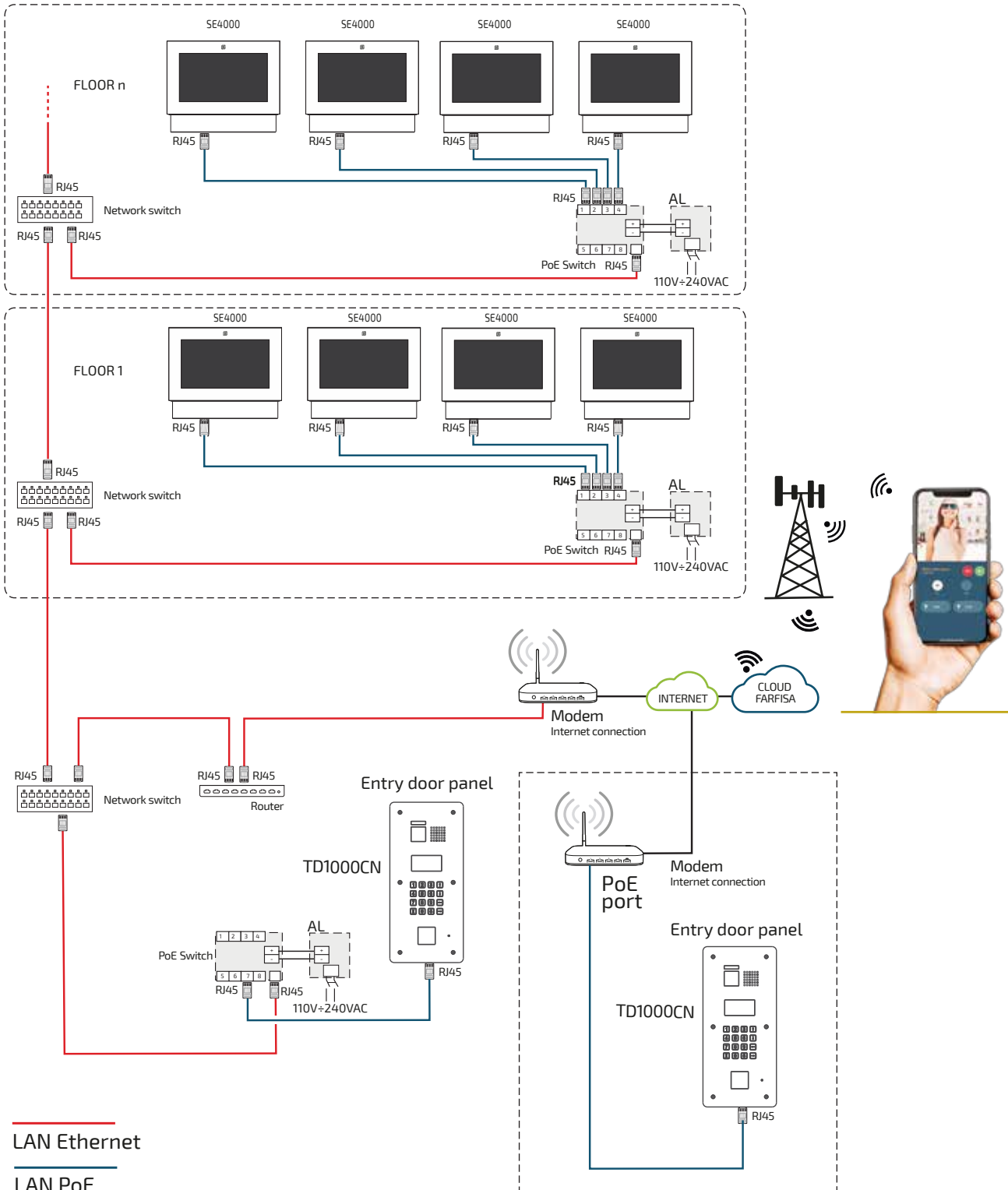
EASY  
SETTING



WebRTC  
PROTOCOL



Example diagram for a multi-family IP EVO installation 2 entry door panels, 1 of which remote.





# FARFISA

INTERCOMS SINCE 1967



anyone  
anytime  
anywhere



MADE IN ITALY

**ACI SRL**  
**Via Ezio Vanoni 3**  
**60027 Osimo (AN) Italy**  
**Tel. +39.071.7202038**  
**farfisa.com**

